

AUTOMATIC MODULAR ICE-CUBE MAKER

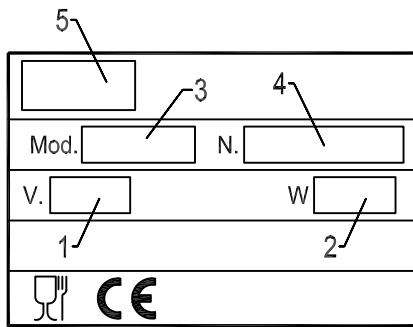
INSTRUCTIONS AND WARNINGS

24851 rev. 01

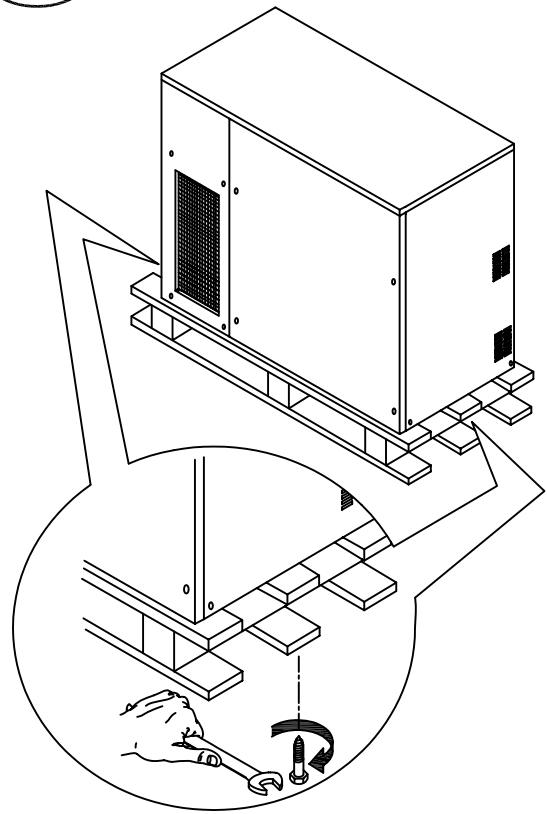


It is strictly forbidden to reproduce this instruction manual or any part thereof.

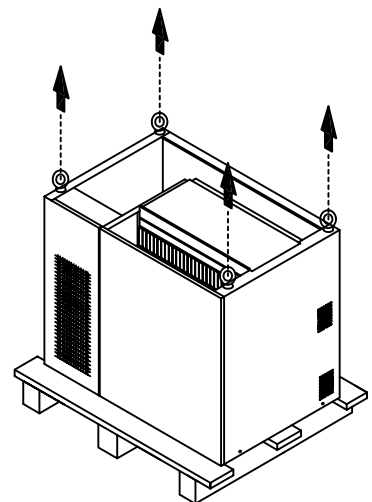
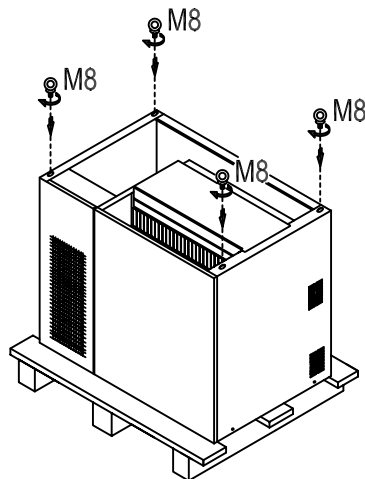
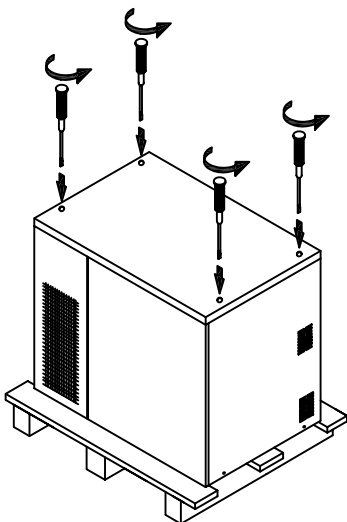
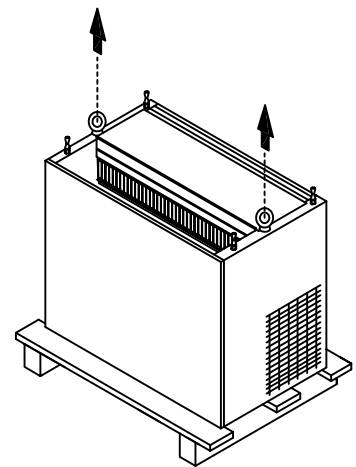
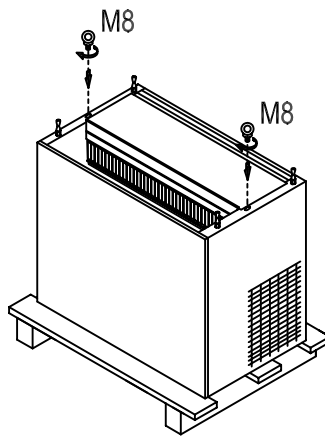
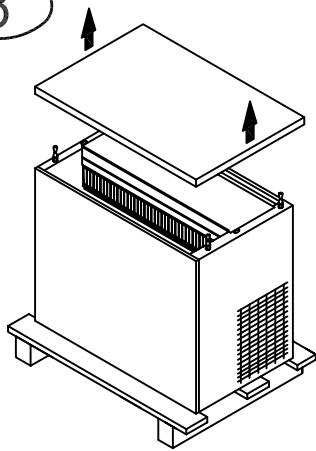
1



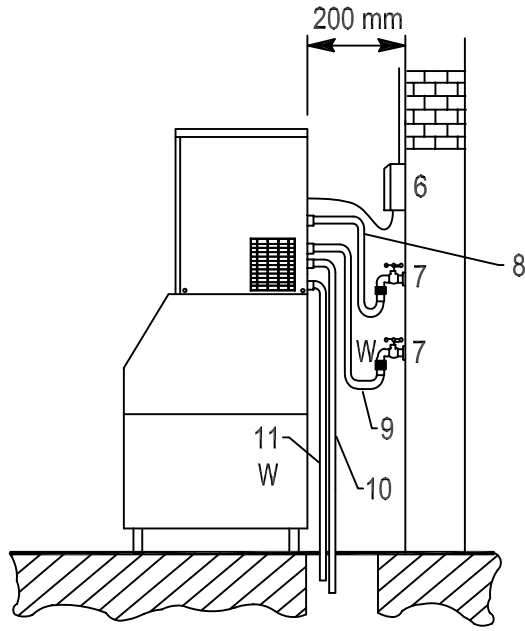
2



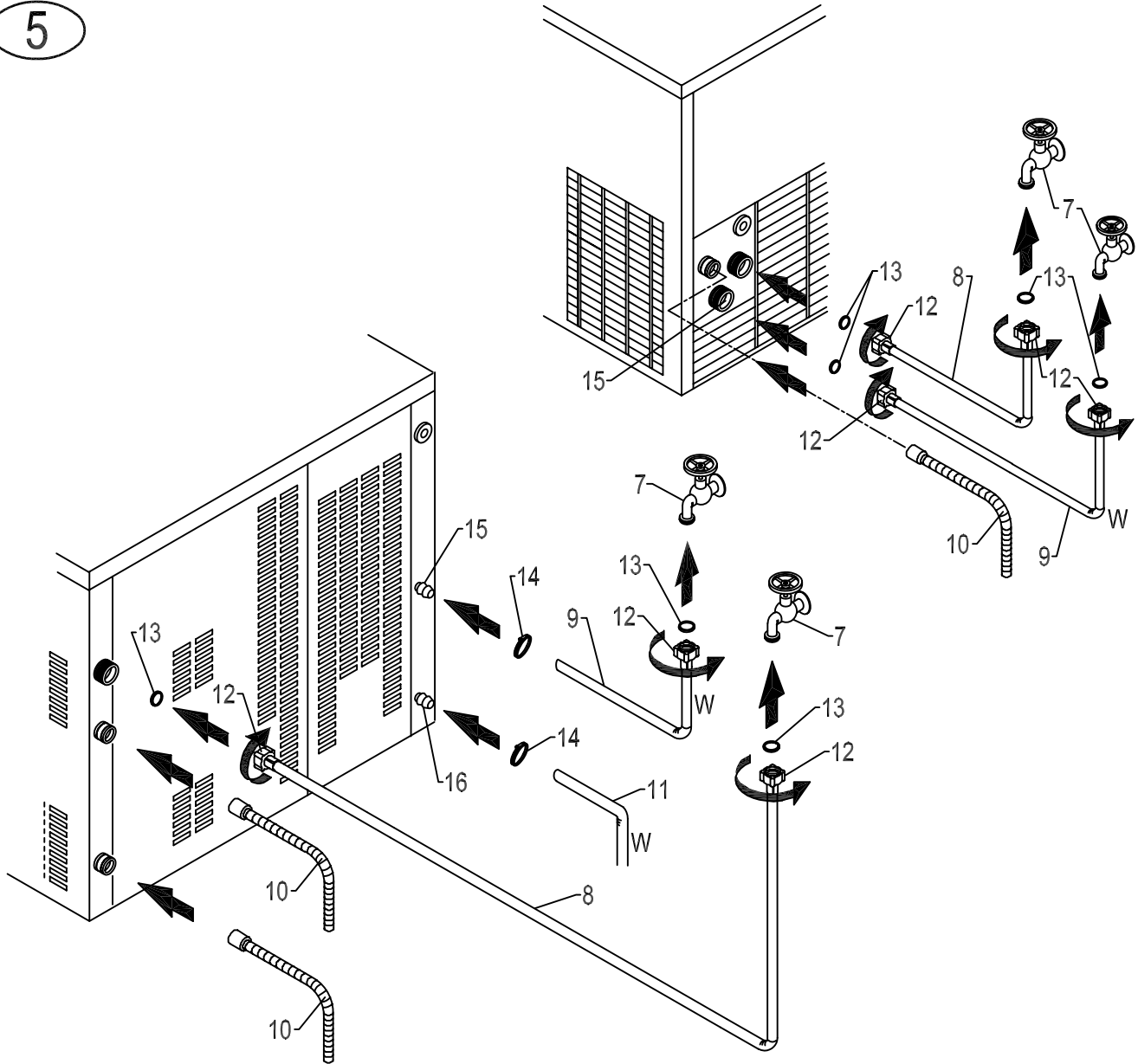
3



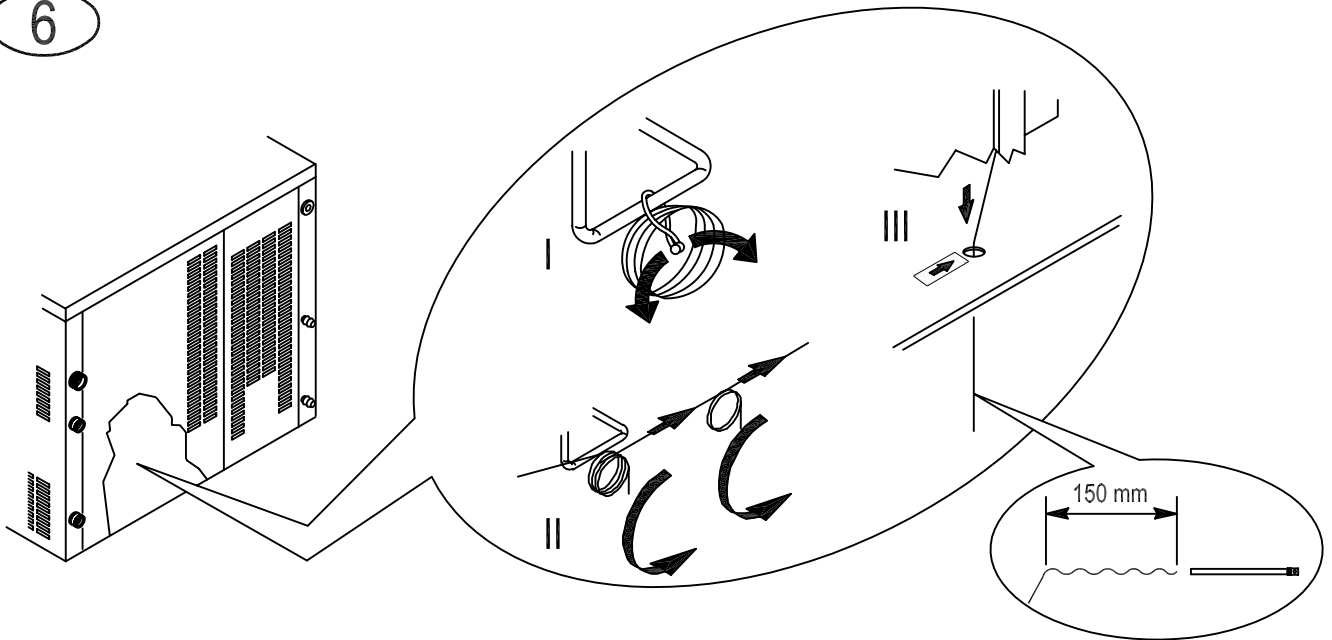
4



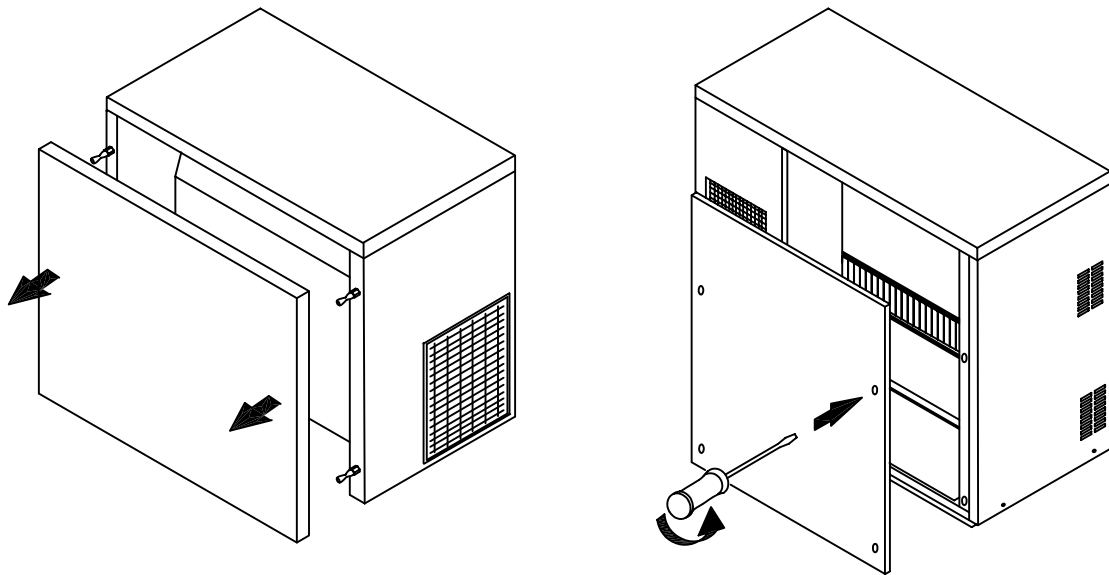
5



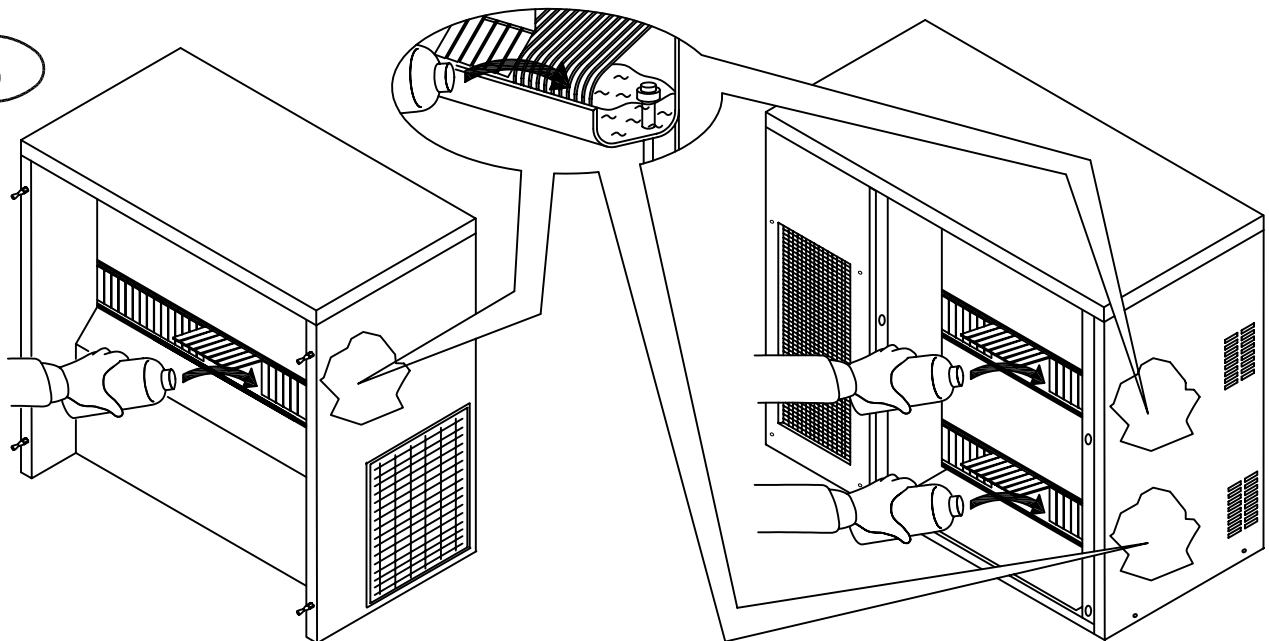
6



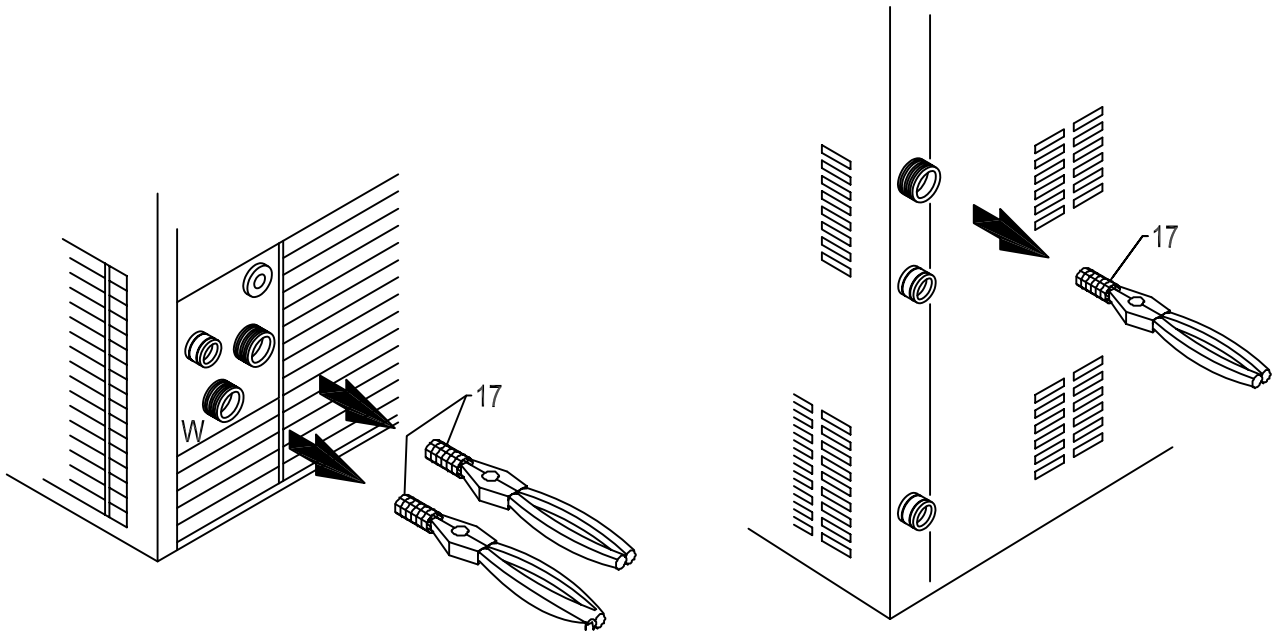
7



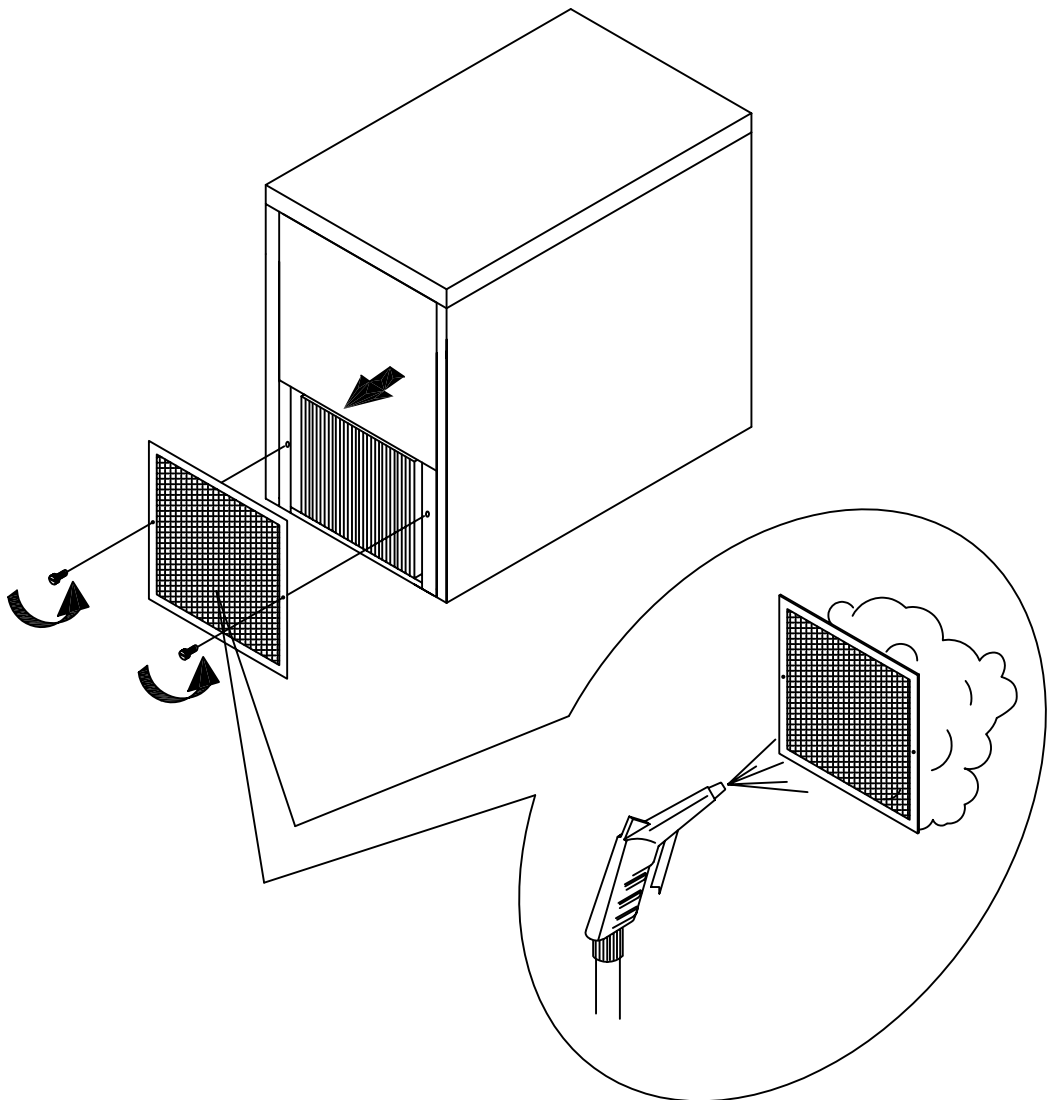
8



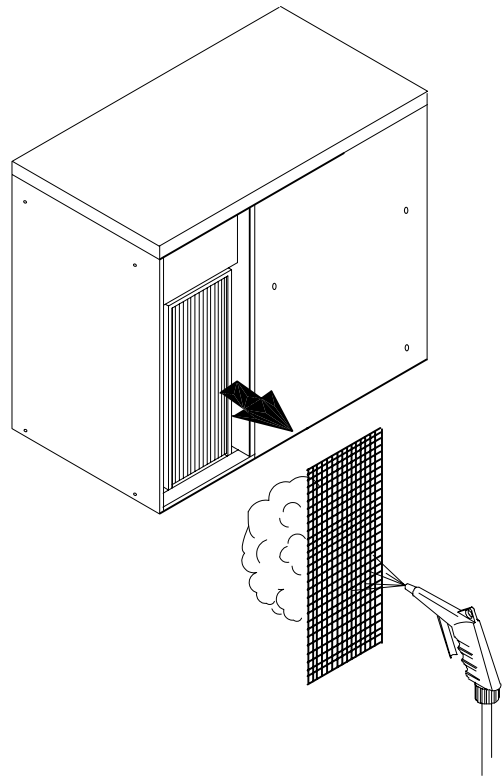
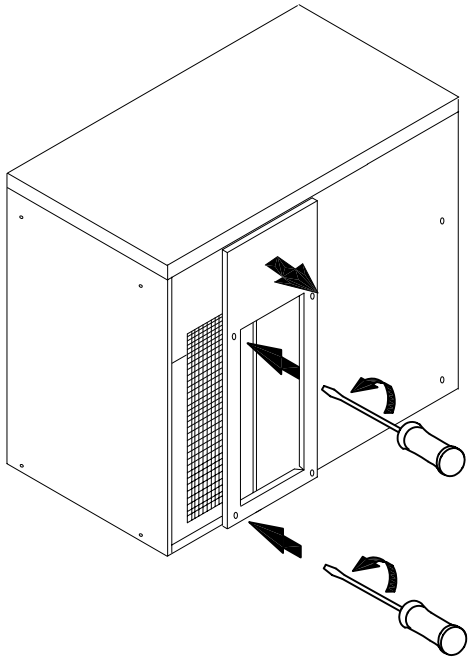
9



10



11



Dear Customer, Congratulations on having chosen a quality product which will certainly fully meet your expectations. Thank you for having purchased one of our products. Please **read this instruction manual carefully before using** your new automatic modular ice-cube maker.

TABLE OF CONTENTS

- 1 IMPORTANT ADVICE AND RECOMMENDATIONS**
- 2 TECHNICAL SPECIFICATIONS**
- 3 ADVICE ABOUT TRANSPORTATION**
- 4 UNPACKING**
- 5 INSTALLATION**
 - 5.1 CONNECTION DIAGRAM
 - 5.2 POSITIONING
 - 5.3 CONNECTION TO WATER MAINS
 - 5.3.a WATER SUPPLY
 - 5.3.b DRAIN
 - 5.4 CONNECTION TO THE ELECTRICITY MAINS
 - 5.5 CONNECTING THERMOSTAT TO BIN
- 6 START-UP**
 - 6.1 CLEANING INTERNAL PARTS
 - 6.2 START-UP
- 7 MAIN CAUSES OF OPERATING FAILURE**
- 8 OPERATION**
- 9 MAINTENANCE**
 - 9.1 CLEANING THE FILTER OF WATER SUPPLY SOLENOID VALVE
 - 9.2 AIR-COOLED MODELS
 - 9.3 CLEANING AND SANITIZING OPERATIONS
- 10 PERIODS AT A STANDSTILL**

The figures in this manual are of a general nature. Some details may therefore differ depending on the specific model.

The Manufacturer declines all liability for any inaccuracies in this Instruction Manual due to printing or transcription errors. The Manufacturer also reserves the right to make any modifications to the products that may be necessary or useful, also in the interests of the user, without impairing the products' essential features of functionality and safety.

1 IMPORTANT ADVICE AND RECOMMENDATIONS

This instruction manual forms an integral part of the automatic modular ice-cube maker (also more simply called “appliance” in the text) and must be kept for possible future consultation.

In the event of the appliance being sold or transferred to another person, this Manual must be handed over to the new user, in order to enable him to become familiar with the operation of the equipment and the corresponding advice and recommendations.

!! Before installing and using the appliance, read the advice and recommendations contained in this instruction manual very carefully. They are given in order to ensure safe installation, use and maintenance of the appliance.

- always remove the plug from the power socket before proceeding with any cleaning or maintenance operations
- to ensure the appliance operates efficiently and correctly, it is essential to comply with the Manufacturer’s instructions and to make sure that maintenance is performed by specially qualified personnel
- do not remove any of the panels or grilles
- do not rest objects on the appliance or in front of the ventilation grilles
- always lift the appliance to move it, even slightly. Do not push or pull it
- any use of the appliance other than for the production of ice cubes using cold drinking water is to be considered as improper use
- do not obstruct the ventilation and heat-dissipation grilles, since poor aeration - in addition to reducing efficiency and causing poor operation - may also cause serious damage to the appliance
- if the appliance breaks down and/or operates in a faulty way, switch it off by means of the main switch fitted during the installation phase, remove the plug from the socket (if any), and turn off the water tap(s). Do not make any attempt to repair the appliance yourself. Contact only professionally qualified and authorized personnel
- in addition to rendering any form of warranty null and void, modifying (or attempting to modify) this appliance is extremely dangerous
- do not use the ice-cube bin to cool or preserve food or drinks, as these operations could cause the drain system to become clogged, thus leading to the bin filling up and water leaking out
- in the event of a failure, contact the dealer who sold you the appliance; he will be able to give you the address of your nearest Authorized Technical Service Centre. Always insist on having original spare parts mounted
- any specific information or diagrams regarding particular models will be attached to this Instruction Manual

!! Use of this electrical appliance requires compliance with certain fundamental rules; in particular:

- do not touch the appliance with wet or damp hands or feet
- do not use the appliance when you are barefoot
- do not use extensions in premises such as bathrooms or shower rooms
- do not tug on the power supply cable to disconnect it from the mains
- do not allow the appliance to be used by children or by incapable persons
- supervise children to ensure that they do not play with the appliance

Should you decide to scrap appliance, first disconnect the power cable from the mains, and then cut the cable off.

In addition, proceed as follows:

- do not allow the coolant gas and oil in the compressor to disperse into the environment
- dispose of or recover the various materials according to the provisions established by the current laws in force in your Country

This appliance does not contain coolant that damages the ozone layer.

!! The Manufacturer shall not be liable for any damage to the environment, animals, persons or objects caused by incorrect installation.

2 TECHNICAL DATA (Fig. 1)

The voltage and frequency are given on the data plate on the appliance. Refer to this data plate to check compliance.

Voltage (1), power (2), model (3), serial No. (4), Manufacturer (5).

The weighted equivalent continuous sound level A of this appliance is less than 70 dB(A). The measurements were made over an entire production cycle, at a distance of 1 m from the surface of the appliance and at a height of 1.60 m from the floor.

The wiring diagram is stuck on the rear panel of the appliance.

3 ADVICE ABOUT TRANSPORTATION

The net weight and the weight including packaging of the appliance are given on the cover of this Instruction Manual. Please refer to the instructions on the packaging in order to correctly transport and lift the appliance.

To prevent the oil in the compressor from flowing back into the coolant circuit, always make sure that the appliance is kept upright during transport, storage, and handling. Follow the instructions given on the packaging.

4 UNPACKING

The appliance must be installed by authorized personnel, in compliance with the current laws in force and the Manufacturer's instructions.

Once you have removed the packaging according to the instructions on the box, MAKE SURE THAT THE APPLIANCE IS IN A PERFECTLY GOOD CONDITION. IF IN DOUBT, DO NOT USE IT AND IMMEDIATELY CONTACT THE DEALER who sold it to you.

All the packaging items (plastic bags, cardboard, polystyrene foam, nails, etc.) must be removed and put out of the reach of children, as they are potential sources of danger.

Rest the wooden pallet on the floor, unscrew the bolts (if any) anchoring the appliance to the pallet (Fig. 2), lift the appliance using equipment fit to bear its weight, and separate it from the pallet.

✂ NOTE FOR INSTALLER:

This operation must only be performed by professionally qualified and authorized personnel.

The appliances contain threaded holes for hooking eyebolts (Fig. 3).

To prevent damage to the appliance, the lifting bolts should be kept vertical during lifting.

5 INSTALLATION

5.1 CONNECTION DIAGRAM (Fig. 4)

6. electrical connection controlled by omnipolar circuit-breaker with residual current device
7. water tap(s)
8. water supply pipe for ice making
9. water supply pipe for water cooling (W)
10. water drainage pipe(s) from ice making
11. cooling water drainage pipe (W - 300 kg/24h output model only)

5.2 POSITIONING

!! The appliance must be installed in a hygienically clean location; it is advisable to avoid rooms like cellars and store-rooms, because failure to meet hygiene requirements is likely to lead to the formation and proliferation of bacteria in the appliance.

**It is advisable to install the appliance in a room where the temperature is between 10°C and 35°C, and with a water supply temperature of between 3°C and 25°C.
Avoid installing the appliance where it may be exposed to direct sunlight or near heat sources such as radiators, stoves, dishwashers, etc.**

!! This appliance:

- must not be used outdoors
- must not be installed in damp places or where it is liable to be sprayed with water
- must be positioned at a distance of at least 20 cm from the side walls

!! **The appliance must be installed on a bin.**

For correct installation on our bins, see the diagrams supplied with the bins.

In any event the instructions and advice contained in this manual must be complied with, especially those relating to connection to the electricity and water supply.

Use a spirit level to ensure that the appliance is standing perfectly level. If necessary, adjust the legs fitted to our bins.

!! **The manufacturer declines all liability for installation on bins made by other manufacturers.**

5.3 CONNECTION TO THE WATER MAINS

!! **IMPORTANT:**

- the appliance must be connected to the water mains by professionally qualified personnel in accordance with the Manufacturer's instructions
- this appliance must be only be supplied with cold water for human consumption (drinking water)
- the operating pressure must be between 0.1 and 0.6 MPa
- a tap must be installed between the water mains and each feed pipe of the appliance, so that the water supply may be shut off if necessary
- where the feed water is particularly hard, you are advised to install a softener. Any solid particles (e.g. sand) may be eliminated by installing a mechanical filter, which must be periodically inspected and cleaned. These devices must comply with the standards in force in the Country of use
- never turn the water supply tap(s) off when the appliance is working

5.3.a FILLING WITH WATER (Fig. 5)

Insert the special seals provided (13) in the two threaded ring nuts (12) of the water supply pipe (8) supplied with the appliance.

Without exerting excessive force (otherwise the unions could crack), firmly tighten one of the threaded ring nuts on the outlet of the solenoid valve located in the rear of the appliance. The other threaded ring nut must be screwed to the water tap (7); this too must be provided with a thread.

For water-cooled models, connect union (15) to tap (7) with a water supply pipe (9), using a hose clip (14) if necessary.

5.3.b DRAIN (Fig. 5)

Fix each water drain pipe (10) in the housing provided on the rear of the appliance. Make sure that:

- the pipe is a hose
- the internal diameter is 22 mm, as required
- the water drain hose is not throttled at any point throughout its length
- the drain hose slopes downwards by at least 15%

For water-cooled models with an output of 300 kg/24h, connect union (16) to a drain with a water drainage pipe (11), using a hose clip (14).

It is advisable to drain the water straight into an open drain trap.

5.4 CONNECTION TO THE ELECTRICITY MAINS



IMPORTANT:

- **models with daily production of 300 kg must be connected to a 32A interlocked receptacle**
- the appliance must be connected to the electricity mains by professionally qualified personnel in accordance with the Manufacturer's instructions
- before connecting the appliance to the electricity mains, make sure that the mains voltage rating corresponds to the value indicated on the rating plate
- make sure that the appliance is connected to an efficient earthing system
- make sure that the capacity of the power supply system suits the maximum power value indicated on the rating plate of the appliance
- if the appliance comes supplied with a plug, prepare a socket controlled by an omnipolar circuit-breaker (6 in Fig. 4), with a contact-opening gap of not less than 3 mm, in accordance with national safety standards currently in force. This switch must be equipped with fuses, with the associated residual current device positioned in such a way as to be readily accessible. Insert the plug into the socket controlled by the switch
- the plug must only be replaced by professionally qualified and authorized personnel, and the new plug must comply with current national safety standards
- if the appliance comes supplied without a plug and you wish to connect it permanently to the power supply, prepare an omnipolar circuit-breaker, with a contact-opening gap of not less than 3 mm, in accordance with national safety standards currently in force. This switch must be equipped with fuses, with the associated residual current device positioned in such a way as to be readily accessible. **This operation must be carried out by a specialized technician**
- make sure that you fully uncoil the power supply cable and check that it is not crushed in any way
- should the supply cable be damaged, it must be replaced by a specialized technician using a special cable available from the Manufacturer or from the Technical Service Centres

5.5 CONNECTING THERMOSTAT TO BIN

The appliance is fitted with a thermostat, the probe of which must be connected to the bin if the appliance is installed on a bin manufactured by us.

NOTE FOR INSTALLER:

This operation must only be performed by professionally qualified and authorized personnel.

To access thermostat probe:

- remove rear panel
- release and uncoil probe, taking care not to create any constrictions
- insert probe into hole in baseplate marked by a green arrow
- shape end of capillary tube as shown in Fig. 6 before inserting it into bulb-holding tube of bin, taking care not to damage it

For further details, see the diagrams supplied with our bins.

6 START-UP

6.1 CLEANING INTERNAL PARTS

The appliance will have already been cleaned in the factory. However, you are advised to wash the internal parts again before using the appliance. Make sure that the power supply cable is unplugged before carrying out the above cleaning operation.

See cleaning and sanitizing manual for information regarding cleaning operations.

For cleaning operations in general, use an ordinary detergent for washing dishes or a solution of water and vinegar. Rinse thoroughly with plenty of cold water and remove any ice that may have been produced during the first 5 cycles after cleaning, together with any ice present in the bin.

It is advisable to avoid using abrasive detergents or powders, since these might damage the finish.

6.2 START-UP

When you start up the appliance the first time, or when you start it up again after a long period at a standstill, fill the basin manually with water.

This filling operation must be carried out by removing the front panel (Fig. 7), raising the flaps and pouring the water directly into the basin (Fig. 8).
In the cycles subsequent to the initial one, the appliance will be filled with water in a fully automatic way.

Once the appliance has been correctly connected to the electricity mains, water mains and water drain system, it can be started up as follows:

- a)** turn on the water supply tap(s) (7 in Fig. 4)
- b)** insert the plug (if any) in the socket and switch on the power supply by means of the relative switch fitted during the installation phase (6 in Fig. 4)

For appliances that are connected permanently to the electricity mains, turn on by means of the switch on the outside of the appliance, fitted during the installation phase.

7 MAIN CAUSES OF OPERATING FAILURE

Should the appliance fail to produce ice, before calling on the Authorized Technical Service Centre, first check carefully that:

- the water supply tap(s) (7 in Fig. 4), fitted during the installation phase, has/have been turned on
- electric power is reaching the appliance; the plug (if any) is properly inserted in the socket and the switch (6 in Fig. 4) is in the "ON" position

Furthermore:

- if there is excessive noise, make sure that the appliance is not touching furniture or sheet metal which can give rise to noise or vibrations
- should any trace of water appear, check the drain hole of the bin to ensure that it is not clogged, that the water fill and drain pipes are correctly connected and are not throttled or damaged
- make sure that the temperature of the air or water does not exceed the installation limit values (see paragraph 5.2)
- make sure that the water inlet filter is not clogged (see paragraph 9.1)
- make sure that the spray nozzles are not clogged with scaly deposits

If the fault still persists after the above inspections have been made, turn off the electric power source by means of the switch fitted during the installation phase, pull out the plug (if any) from its socket, turn off the tap(s) connecting the appliance to the water mains, and contact the nearest Authorized Technical Service Centre.

To obtain a faster and more efficient reply when you call the Centre, state the model of the appliance precisely, together with its serial number or manufacturing number. This information is given on the serial N° plate (Fig. 1) affixed to the rear of the appliance and on the cover of this Instruction Manual.

8 OPERATION

The appliance has a thermostat which, when installed as indicated in paragraph 5.5, stops ice production when the ice accumulated in the bin reaches the probe connected to the thermostat. When ice is taken from the bin, the thermostat will automatically reactivate ice-cube production, thus creating a new supply of ice.

Some models are fitted with a safety pressure switch that stops ice production in the event of a malfunction of the cooling circuit; to restart the appliance, firmly press the reset button. If the fault still persists, turn off the electric power source by means of the switch (6 in Fig. 4) fitted during the installation phase, pull out the plug (if any) from its socket, turn off the water supply tap(s) (7 in Fig. 4), and contact the nearest Authorized Technical Service Centre.

NOTE FOR MODELS WITH AN OUTPUT OF 300 kg/24h:

The operation of the pressure switch is signalled by an orange warning light on the left-hand side of the front panel of the appliance. If the reset button is pressed, the orange light will go out.

9.1 CLEANING THE FILTER OF WATER SUPPLY SOLENOID VALVE

!! At least every two months, clean the filter (17) located on the water inlet solenoid valve, proceeding as follows:

- **switch off the electric power supply** by means of the switch (6 in Fig. 4), fitted during installation, and disconnect the plug of the appliance from its socket (if any)
- **shut off the water supply** by turning the tap (7 in Fig. 4) fitted during installation
- unscrew the threaded ring nut (12 in Fig. 5) of the water feed hose, located at the outlet of the solenoid valve at the rear of the appliance
- using a pair of pliers, remove the filter (17) from its seat without damaging the water feed pipe connector
- place the filter under a strong jet of water to remove residue, but replace the filter if it is excessively dirty

NOTE FOR WATER-COOLED MODELS:

Repeat the operations described above for the cooling water solenoid valve.

After having carried out the cleaning operations, refit the filter(s) and hose pipe(s), taking the necessary precautions described earlier in the Instruction Manual.

When the operations have terminated, turn on both the electricity supply and water supply.

9.2 AIR-COOLED MODELS

For air-cooled models, it is very important to keep the finned condenser and its external filter (if any) clean.

Have the finned condenser cleaned at least once every two months by an Authorized Technical Service Centre, which can include this operation in the scheduled maintenance programme.

The external filter must be cleaned at least once a month, as follows:

- **MODELS WITH OUTPUT OF 155 kg/24h (Fig. 10):**
 - switch off appliance and **cut off power supply** with the switch (6 in Fig. 4) fitted at the installation stage
 - unscrew knobs that hold filter in place
 - remove filter and keep it at a distance from the appliance
 - remove dust from filter by blowing with compressed air
 - replace filter in its seat and secure with knobs
- **MODELS WITH OUTPUT OF 300 kg/24h (Fig. 11):**
 - Switch off appliance and **cut off power supply** with the switch (6 in Fig. 4) fitted at the installation stage
 - Remove front left-hand panel by unscrewing fixing screws
 - Remove knob that holds filter in place
 - Remove filter and keep it at a distance from the appliance
 - Remove dust from filter by blowing with compressed air
 - Replace filter in its seat and secure with knob
 - Refit front left-hand panel, and secure it with screws

9.3 CLEANING AND SANITIZING OPERATIONS

A cleaning and sanitizing kit specifically designed for this appliance is available from your dealer.

!! Do not use corrosive substances to remove limescale from the appliance, because this will invalidate the warranty, and may cause serious damage to the materials and components of the appliance.

!! All cleaning operations must be carried out only after the electric power and water supplies have been disconnected, as described previously, by professionally qualified and authorized personnel.

Follow the instructions given in the cleaning and sanitizing manual supplied with the appliance.

!! IMPORTANT:

- all the ice produced during the first 5 cycles after cleaning and sanitizing operations, and any ice already in the bin, must be eliminated
- when the appliance is cleaned and sanitized, its bin must also be cleaned and sanitized

Complete sanitizing can only be carried out only by the Authorized Technical Service Centres, and must be done regularly depending on the conditions of use of the appliance, the chemical and physical features of the water, and after every period in which the appliance has remained at a standstill for any length of time.

You are advised to ask your dealer to draw up a scheduled maintenance contract that will cover the following:

- cleaning the condenser
- cleaning the filter located on the water supply solenoid valve
- cleaning the ice-tray
- checking the charge of coolant gas
- checking the operating cycle
- sanitizing the appliance

10 PERIODS AT A STANDSTILL

If you do not intend to use the appliance for a certain period of time, proceed as follows:

- switch off the electric power source by means of the switch (6 in Fig. 4), and remove the plug of the appliance from its socket (if any)
- shut off the water supply by turning off the water supply tap(s) (7 in Fig. 4)
- carry out all the operations envisaged for scheduled maintenance of the appliance
- empty the internal basin(s) by raising the flaps and removing the overflow pipe(s)
- empty out the pump body/bodies by blowing compressed air into the pipe(s) that supplies water to the sprayer bank(s)